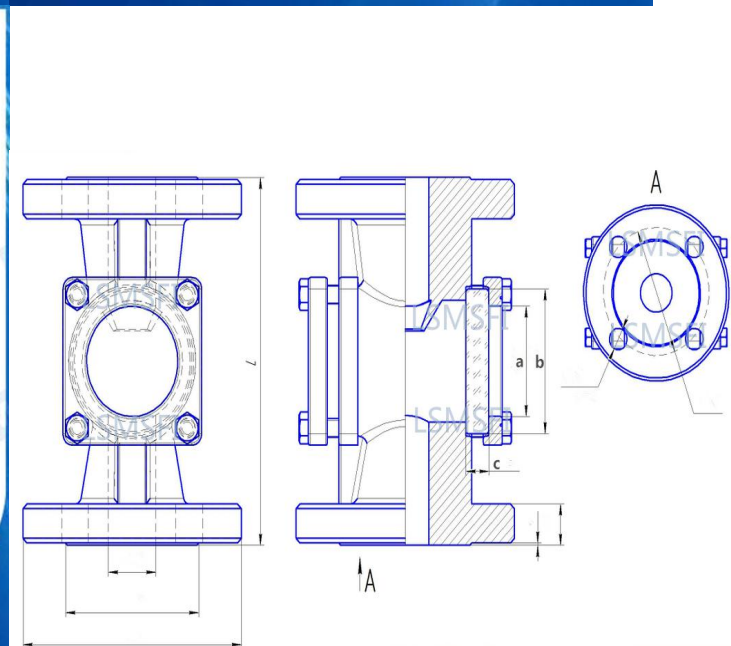


Drip Sight Glass Flow Indicator

Product Type	:SG-ZT41-206D
Product Sizes	:DN15 to DN50(1/2" Inch to 2" Inch)
Material of Construction	
Body&Cap&Bolt	:SS304 / SS316 / SS316L or Carbon Steel(WCB)
Sealing Gasket	:PTFE(White)/NBR(Black)/Viton(Black)
Window	:Tempered/Borosilicate/Quartz/Aluminosilicate Glass
Paint Material	:RAL 5005 Metal Paint or Others
Connection Way	:ANSI 150LB/300LB,JIS 5K/10K,DIN,GB Flange
Max. Working Temperature	:100°C / 212°F for NBR or Viton Gasket 200°C / 392°F for PTFE Gasket
Max. Operating Pressure	:1.6MPa / 16Bar / 232PSI (Up to 5.0MPa Customization)
Compatible Medium	:Water / Oil / Gas / Air / Liquids etc



Wenzhou Luosimeng Machinery Co.,Ltd.
(Sight Flow Indicator Manufacturer)