

## Visual Water Flow Indicator

<b>Product Type</b>	:SG-ZT41-206D
<b>Product Sizes</b>	:DN15 to DN50(1/2”Inch to 2”Inch)
<b>Material of Construction</b>	
<b>Body&amp;Cap&amp;Bolt</b>	:SS304 / SS316 / SS316L or Carbon Steel(WCB)
<b>Sealing Gasket</b>	:PTFE(White)/NBR(Black)/Viton(Black)
<b>Window</b>	:Tempered/Borosilicate/Quartz/Aluminosilicate Glass
<b>Connection Way</b>	:ANSI 150LB/300LB,JIS 5K/10K,DIN,GB Flange
<b>Max. Working Temperature</b>	:100°C / 212°F for NBR or Viton Gasket 200°C / 392°F for PTFE Gasket
<b>Max. Operating Pressure</b>	:1.6MPa / 16Bar / 232PSI (Up to 5.0MPa Customization)
<b>Compatible Medium</b>	:Water / Oil / Gas / Air / Liquids etc



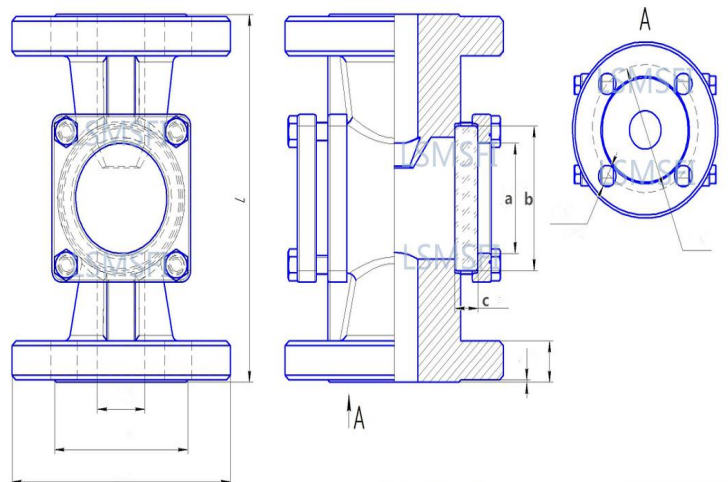
Wenzhou Luosimeng Machinery Co.Ltd.



Wenzhou Luosimeng Machinery Co.Ltd.



Wenzhou Luosimeng Machinery Co.Ltd.



**Wenzhou Luosimeng Machinery Co.,Ltd.**  
(Sight Flow Indicator Manufacturer)