

## Straight Water Flow Indicator

- Product Type** :SG-ZT41-206D
- Product Sizes** :DN15 to DN50(1/2”Inch to 2”Inch)
- Material of Construction**
  - Body&Cap&Bolt** :SS304 / SS316 / SS316L or Carbon Steel(WCB)
  - Sealing Gasket** :PTFE(White)/NBR(Black)/Viton(Black)
  - Window** :Tempered/Borosilicate/Quartz/Aluminosilicate Glass
- Connection Way** :ANSI 150LB/300LB,JIS 5K/10K,DIN,GB Flange
- Max. Working Temperature** :100°C / 212°F for NBR or Viton Gasket  
200°C / 392°F for PTFE Gasket
- Max. Operating Pressure** :1.6MPa / 16Bar / 232PSI (Up to 5.0MPa Customization)
- Compatible Medium** :Water / Oil / Gas / Air / Liquids etc



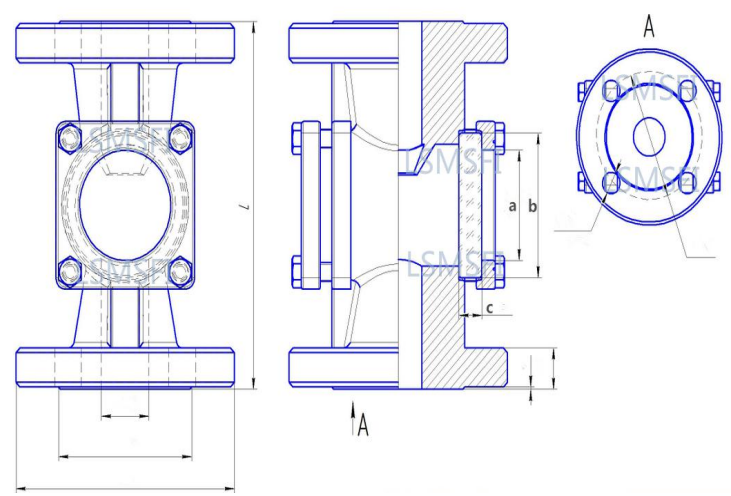
Wenzhou Luosimeng Machinery Co.Ltd.



Wenzhou Luosimeng Machinery Co.Ltd.



Wenzhou Luosimeng Machinery Co.Ltd.



### Wenzhou Luosimeng Machinery Co.,Ltd. (Sight Flow Indicator Manufacturer)